



Single-toggle Jaw Crusher EB 12-10



The easy way of crushing

Proven quality – great flexibility – easy operation

thyssenkrupp Jaw Crushers are used for primary crushing. The material is crushed by compressive and shear forces. Flywheels with high moments of inertia are generating a high crushing energy and compensate crusher peak loads. The main feature of the crusher is the enhanced kinematics of the swing jaw with a high stroke in the feed and discharge area which ensures very high throughput rates.

Features

Crushing chamber

- Optimized crushing chamber resulting in reduced wear and long operating life
- Optimum angle of nip for hard and tough materials

Crushing jaws

- Crushing jaws of high-grade manganese-alloyed steel
- Developed crushing plate profiling optimized for all kinds of feed material
- The crushing jaws can freely expand avoiding the transmission of high stresses to other components
- Easy change of the crushing jaws
- Strengthened design of the swing jaw to take up peak loads

Quick change of gap settings

- Hydraulically assisted gap setting

Drive concept

- V-belt drive
- Good accessibility
- Easy maintenance

Monitoring devices

- Proper functioning is monitored by speed and temperature sensors

Housing and base frame

- Reinforced front- and back walls
- Cheek plates made of high-strength special steel

Optional automatic grease lubrication unit

- Lubrication for bearings and labyrinths
- Lubrication system is monitored



Single-toggle Jaw Crusher EB 12-10

Technical Specification

General data

Materials:	Granite, basalt, iron ore etc.
Maximum feed size:	0 – 800 mm edge length
Product size:	0 – 200 mm 0 – 300 mm
Capacity:	0 – 200 mm: up to 355 t/h 0 – 300 mm: up to 540 t/h

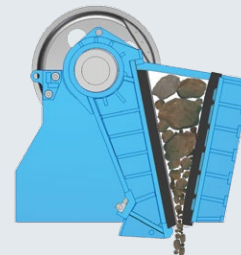
Crusher

Type of Jaw Crusher:	Single-toggle
Feed opening dimensions (a x b):	1,000 mm x 1,200 mm
Gap setting:	100 – 250 mm
Method of gap setting:	mechanical, hydraulically assisted
Weight flywheel:	2.9 mt
Main dimensions (l x w x h):	3,970 mm x 2,510 mm x 3,140 mm
Total weight:	up to 45 mt

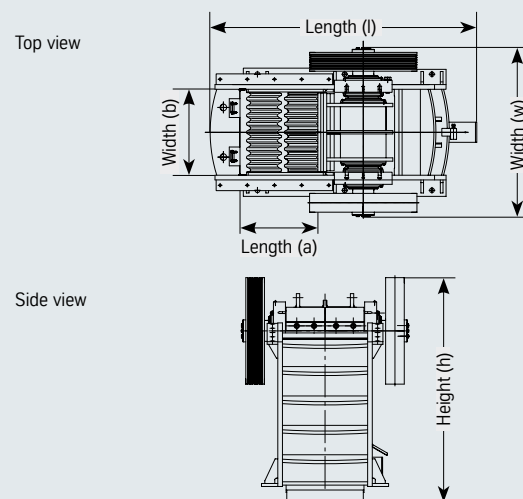
Drive

Drive concept:	V-belt
Motor power:	up to 132 kW

Crushing principle



Main dimensions



Contact

thyssenkrupp Industries India Pvt. Ltd.

Pimpri, Pune 411 018
India

Phone: +91 20 2742 5461-64

Fax: +91 20 2742 5350

Corporate Identity No.:

U74999MH1947PTC005508

Sales representative

© 2016 Product specifications and prices are subject to change without notice or obligation. The photographs and/or drawings in this document are for illustration purposes only. The operation values are considered to be approximate and will be finally determined on the basis of the specific task and the material characteristics. The only warranty applicable to our equipment is the standard written warranty applicable to the particular product and sale and thyssenkrupp makes no other warranty of accuracy, reliability, completeness, merchantability or fitness for any purpose, express or implied. Products and services listed may be trademarks, service marks or trade-names of thyssenkrupp and/or its subsidiaries in Germany and other countries. All rights are reserved.