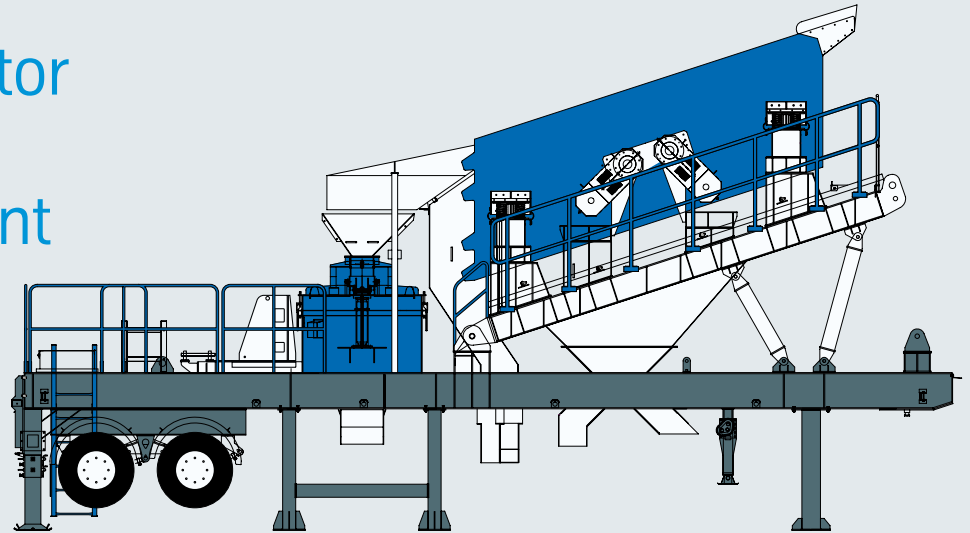




Mobile impactor crushing and screening plant



Proven quality – great flexibility – easy operation

The mobile VSI crushing and screening plant from thyssenkrupp with all necessary mechanical and electrical components, support structure and protection devices combines great flexibility with high efficiency in tertiary or quarternary crushing. The plant concept allows a great variety of feed materials and the production of different grain fractions with best cubic shape.

The material can be fed directly to the crusher or alternatively to the screen. Set-up is easy, followed by quick start-up.

Features

MULTIROK® 7 Vertical shaft impactor

- Optimal cubic shape of product
- Constant outlet curve of crushed material
- 2 types of rotors and sidewalls depending on the customers requirement
- Compact design resulting in a low overall height

Four-deck circular motion screen arranged above the MULTIROK® 7

- Grain fractions of the screened material can be combined according to customer's needs
- Top deck oversize feeds the Multirok® 7
- 2nd deck and 3rd deck oversize is taken out as a separate product
- 4th deck oversize and undersize can be combined or taken out as a separate product

All feed, discharge and connection chutes are made of steel plates with liners

Proper safety protection

Operator platforms with access ladder, walkways and handrails

- Compact design and easy access to all equipment

Chassis with double-axle bogie, air brakes, tail and side lights

- Easy and quick displacement between the job sites

Complete electrical installation

Free-standing control panel cabinet with separate switchgear panel and connecting cabling

- Plug and play

Technical Specification

General Data

Materials:	Medium to hard rock, limestone, dolomite, basalt, granite, etc.
Plant capacity:	Max. 200 t/h
Working dimensions (l x w x h):	13,100 mm x 4,000 mm x 7,250 mm
Transport dimensions (l x w x h):	13,100 mm x 2,800 mm x 5,100 mm
Transport dimensions (l x w x h)*:	13,100 mm x 2,800 mm x 4,650 mm
Transport weight:	30 mt
Transport weight*:	23 mt
Standard voltage supply:	400 V ±10% / 50 Hz / 3-phase AC

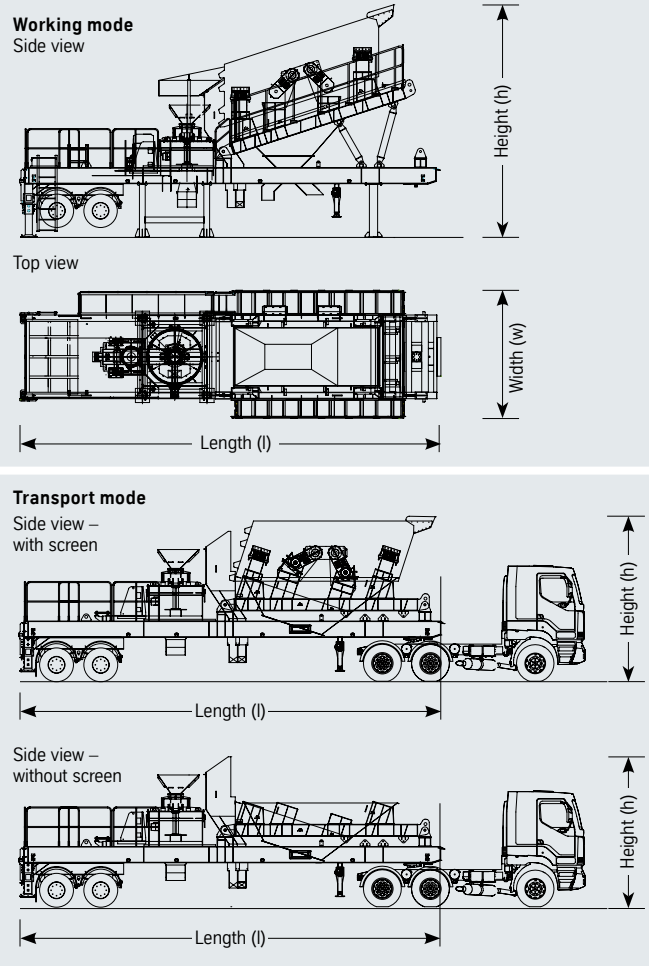
Crusher

Vertical Shaft Impactor:	Multirok [®] 7
Max feed size – Open rotor:	75 mm
Closed rotor:	38 mm
Capacity – Open rotor:	120 – 200 t/h
Closed rotor:	100 – 160 t/h
Motor power:	160 kW

Screening unit

Screen:	Type CK 804, Four-deck circular motion screen
Dimensions (w x l):	1,600 mm x 5,000 mm
Motor power:	2 x 9.0 kW

*without screen, chutes and handrails



Contact

thyssenkrupp Industries India Pvt. Ltd.

Pimpri, Pune 411 018
India

Phone: +91 20 2742 5461-64

Fax: +91 20 2742 5350

Corporate Identity No.:

U74999MH1947PTC005508

Sales representative

© 2016 Product specifications and prices are subject to change without notice or obligation. The photographs and/or drawings in this document are for illustration purposes only. The operation values are considered to be approximate and will be finally determined on the basis of the specific task and the material characteristics. The only warranty applicable to our equipment is the standard written warranty applicable to the particular product and sale and thyssenkrupp makes no other warranty of accuracy, reliability, completeness, merchantability or fitness for any purpose, express or implied. Products and services listed may be trademarks, service marks or trade-names of thyssenkrupp and/or its subsidiaries in Germany and other countries. All rights are reserved.